



Technical Features

Press-fit zone

ACTION PIN

Material thickness

0.8 mm

Total Temperature Range

-40 °C ... +125 °C

Insertion Force

Max 400 N

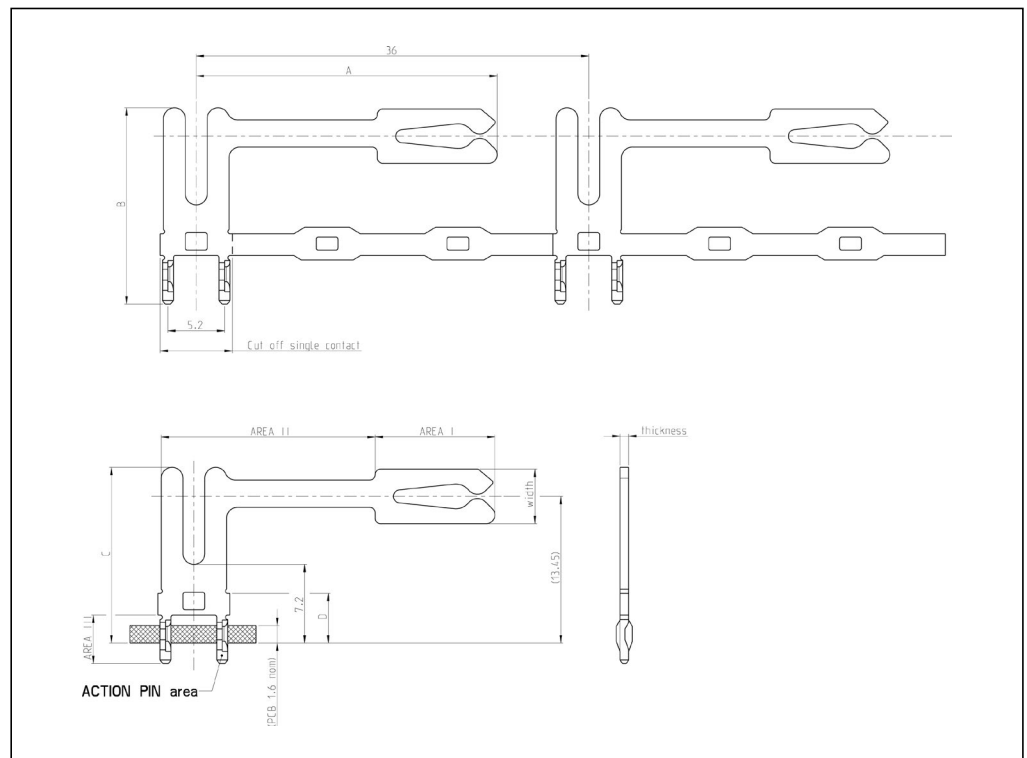
Push-out Force

Min 80 N

Current Carrying Capacity

up to 24 Ampere
(@ 80 °C ambient temperature)

ACTION PIN Press-Fit Pin 90° Special Contact



Product Drawing
1418814

Product Requirements
IEC 60352-5 / TE 108-94014

Product Specification
108-94014

ACTION PIN Press-Fit Pin 90° Special Contact

Dimensions Area I (mm) Width x Thickness	Dimensions (mm)				Nominal PCB Hole Diameter (mm)	Material	Finish Area I, Mating Side Area	Finish Area III, Press-Fit Area	Part Number
	A	B	C	D					
5.00 x 0.80	27.60	18.00	14.50	4.55	1.35	CuSn	Sn	Sn	1-1418814-1

**) For requests contact TE Application Tooling